

# Home Control in a consumer's perspective

[www.iab.org/about/workshops  
/smartobjects/papers/Brandt.pdf](http://www.iab.org/about/workshops/smartobjects/papers/Brandt.pdf)



Anders Brandt  
Sigma Designs  
abr@sdesigns.dk

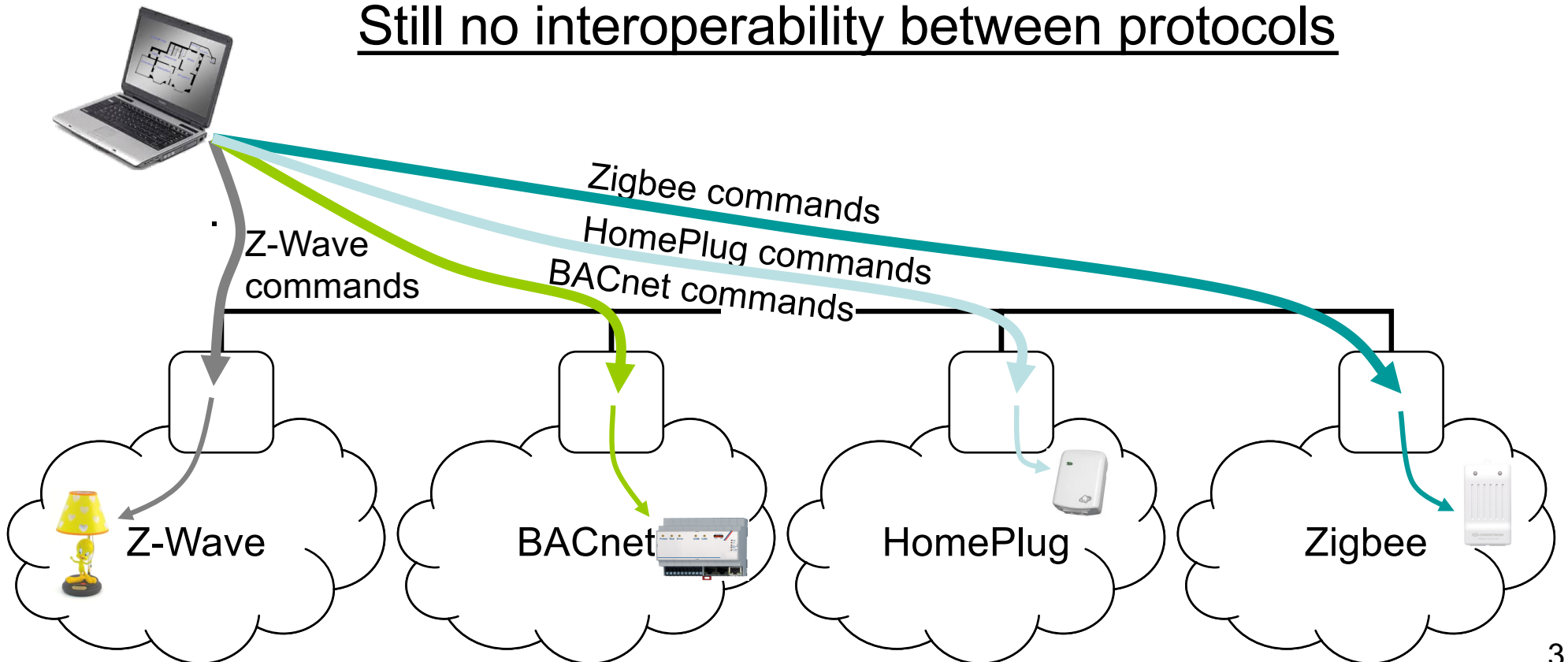
# Today

- Many application protocols
  - BACnet, DALI, LonWorks, Z-Wave, HomePlug, Zigbee, ...
- Millions of devices installed
- Limited integration
  - Available product range: one standard only
    - Many "silos": HVAC, fire alarms, ...
    - Limited competition  $\Rightarrow$  Higher cost
    - High cost  $\Rightarrow$  Limited market growth
    - ...
    - .

# Today, Cont'd

- Application protocol transport over IP
  - One network  $\Rightarrow$  Simpler installation and management

Still no interoperability between protocols



# One common platform?

- What if
  - resources could be discovered across subnets?
  - legacy protocols could interoperate?
  - IP really supported battery operated nodes?
- Are we looking for
  - a one fits all solution?
  - support for any device in the world?
  - 85% support for 85% of devices?

# How to migrate?

- Incremental steps
  1. Legacy protocol over IP (UDP encapsulation)
  2. Add IP connectivity to devices that were never built for IP networking (=> gateways)
  3. Add discovery functionality (to gateways)
  4. Introduce native devices built for discovery and an interoperable protocol
  5. Vendor-specific advanced features?

# What is required?

- A discovery protocol to advertize
  - Local resources ✓ (CoAP, mDNS, etc.)
  - Resources in other subnets
  - Legacy devices in other subnets
  - Sleeping nodes
    - e.g. Temperature sensors and door locks

# What is required?

- A discovery protocol that
  - Does not rely on multicast
  - MAY use multicast if supported by a subnet
  - Does not flood LLN style networks with traffic
    - Most discoverable properties are static
- One candidate:
  - `draft-brandt-coap-subnet-discovery`
  -

# What is required?

- Application compatibility:  
M2M style command sets
  - Short, strictly defined paths, e.g.
    - /m2m/light/type [enum switch, dimmer]
    - /m2m/light/level [int 0..100]
  - -
  - "Sufficient" subset
    - Not trying to cover all functionality of all standards
  - Input needed from industry alliances



# What is required?

- Backbone routing by default
  - (What happened to HomeGate?)
- IP battery support:
  - ICMP *"Destination Responding Slowly"*
    - IP host sends "Set temp threshold = x"
    - Border router resolves destination address to `node_type == sleeping`
    - Router returns ICMP "Destination Responding Slowly"
    - IP host increases application ack timeout value  $\Rightarrow$  application command is not retransmitted n times

# Thank You

[www.iab.org/about/workshops  
/smartobjects/papers/Brandt.pdf](http://www.iab.org/about/workshops/smartobjects/papers/Brandt.pdf)

Anders Brandt  
Sigma Designs  
abr@sdesigns.dk