

# VIC-1525

GRAPHIC PRINTER  
USER'S MANUAL



 **commodore**  
COMPUTER

## INFORMATION TO USER

"WARNING: THIS EQUIPMENT HAS BEEN CERTIFIED TO COMPLY WITH THE LIMITS FOR A CLASS B COMPUTING DEVICE, PURSUANT TO SUBPART J OF PART 15 OF FCC RULES. ONLY PERIPHERALS (COMPUTER INPUT/OUTPUT DEVICES, TERMINALS, PRINTERS, ETC.) CERTIFIED TO COMPLY WITH THE CLASS B LIMITS MAY BE ATTACHED TO THIS COMPUTER. OPERATION WITH NON-CERTIFIED PERIPHERALS IS LIKELY TO RESULT IN INTERFERENCE TO RADIO AND TV RECEPTION."

"THIS EQUIPMENT GENERATES AND USES RADIO FREQUENCY ENERGY AND IF NOT INSTALLED PROPERLY, THAT IS, IN STRICT ACCORDANCE WITH THE MANUFACTURER'S INSTRUCTIONS, MAY CAUSE INTERFERENCE TO RADIO AND TELEVISION RECEPTION. IT HAS BEEN TYPE TESTED AND FOUND TO COMPLY WITH THE LIMITS FOR A CLASS B COMPUTING DEVICE IN ACCORDANCE WITH THE SPECIFICATIONS IN SUBPART J OF PART 15 OF FCC RULES, WHICH ARE DESIGNED TO PROVIDE REASONABLE PROTECTION AGAINST SUCH INTERFERENCE IN A RESIDENTIAL INSTALLATION. HOWEVER, THERE IS NO GUARANTEE THAT INTERFERENCE WILL NOT OCCUR IN A PARTICULAR INSTALLATION. IF THIS EQUIPMENT DOES CAUSE INTERFERENCE TO RADIO OR TELEVISION RECEPTION, WHICH CAN BE DETERMINED BY TURNING THE EQUIPMENT OFF AND ON, THE USER IS ENCOURAGED TO TRY TO CORRECT THE INTERFERENCE BY ONE OR MORE OF THE FOLLOWING MEASURES:

- REORIENT THE RECEIVING ANTENNA
- RELOCATE THE COMPUTER WITH RESPECT TO THE RECEIVER
- MOVE THE COMPUTER AWAY FROM THE RECEIVER
- PLUG THE COMPUTER INTO A DIFFERENT OUTLET SO THAT COMPUTER AND RECEIVER ARE ON DIFFERENT BRANCH CIRCUITS

"IF NECESSARY, THE USER SHOULD CONSULT THE DEALER OR AN EXPERIENCED RADIO/TELEVISION TECHNICIAN FOR ADDITIONAL SUGGESTIONS. THE USER MAY FIND THE FOLLOWING BOOKLET PREPARED BY THE FEDERAL COMMUNICATIONS COMMISSION HELPFUL: 'HOW TO IDENTIFY AND RESOLVE RADIO-TV INTERFERENCE PROBLEMS.' THIS BOOKLET IS AVAILABLE FROM THE U.S. GOVERNMENT PRINTING OFFICE, WASHINGTON, D.C. 20402, STOCK NO. 004-000-00345-4."

PART NO: 320970

# **VIC-1525**

## **GRAPHIC PRINTER**

# **USER'S MANUAL**

P / N 1525001-02

**WARNING:** This equipment has been certified to comply with the limits for a Class B computing device, pursuant to Subpart J of Part 15 of FCC Rules. Only computers certified to comply with the Class B limits may be attached to this printer. Operation with noncertified computers is likely to result in interference to radio and TV reception.”

This warning is valid for the equipment which has the following FCC label on its rear.

CERTIFIED TO COMPLY WITH CLASS B LIMITS.  
PART 15 OF FCC RULES SEE INSTRUCTIONS IF  
INTERFERENCE TO RADIO RECEPTION IS SUS-  
PECTED.

The information in this manual has been reviewed and is believed to be entirely reliable. No responsibility, however, is assumed for inaccuracies. The material in this manual is for information purposes only, and is subject to change without notice.

This manual is copyrighted and contains proprietary information. No part of this publication may be reproduced, stored in a retrieval system, or transmitted in any form or by any means, electronic, mechanical, photocopying, recording or otherwise, without the prior written permission of **COMMODORE BUSINESS MACHINES, Inc.**

Copyright © 1982 by Commodore Business Machines, Inc.  
All rights reserved.

# TABLE OF CONTENTS

## Section 1: GENERAL INFORMATION

1.	External Appearances and Names of Parts .....	3
2.	Operating Your Printer .....	4
3.	Interface .....	5

## Section 2: PREPARING TO USE YOUR PRINTER

1.	Installation .....	6
2.	Installing the Ribbon Cassette .....	6-7
3.	Paper Instructions .....	8-11
4.	Connecting the Printer to Your Computer .....	11
5.	Performing the Printer Power-On Test .....	12
6.	Performing the Print Head Test .....	12
7.	Maintenance .....	13
8.	Cautions .....	14

## Section 3: USING YOUR PRINTER

	Introduction .....	15
1.	Special Printer-Associated Commands .....	15-17
2.	Printing in the Direct Mode .....	18
3.	Printing Under Program Control .....	19
4.	Printing Modes and Control Codes .....	19-20
	4.1 Standard Character Mode .....	20
	4.2 Double Width Character Mode .....	20
	4.3 Graphic Mode .....	20-22
	4.4 Print Position Determination .....	22-23
	4.5 Print Start Position-Dot Address .....	24
	4.6 Repetition of Graphic Data .....	25
	4.7 "CURSOR UP" Mode .....	25-26
	4.8 "CURSOR DOWN" Mode .....	26
	4.9 Reverse Field Mode .....	26-27
	4.10 Reset Reverse Field Mode .....	27
	4.11 Mixture of Various Print Mode .....	27-28
	4.12 Line Feed Spacing .....	28
	4.13 Data Buffer Size .....	28-29
5.	Automatic Printing .....	29

## Section 4: APPENDICES

1.	Appendix A:	
	VIC 1525 Printer Specifications .....	30
	VIC 1515 Printer Specifications .....	31
2.	Appendix B:	
	Hard Copy off the Screen .....	32
3.	Appendix C:	
	VIC Printer Code Table (Cursor Up Mode) .....	33
	VIC Printer Code Table (Cursor Down Mode) .....	34

## Section 1: GENERAL INFORMATION

Welcome to a new dimension in computing. Because you bought the Commodore VIC printer, you've added a great deal of versatility and convenience to the use of your Commodore computer. This manual contains all the information you need to check out, hook up, and operate your printer, but in order to get the most out of your computer system you should continue to look at both your computer's User's Guide and Programmer's Reference Manual.

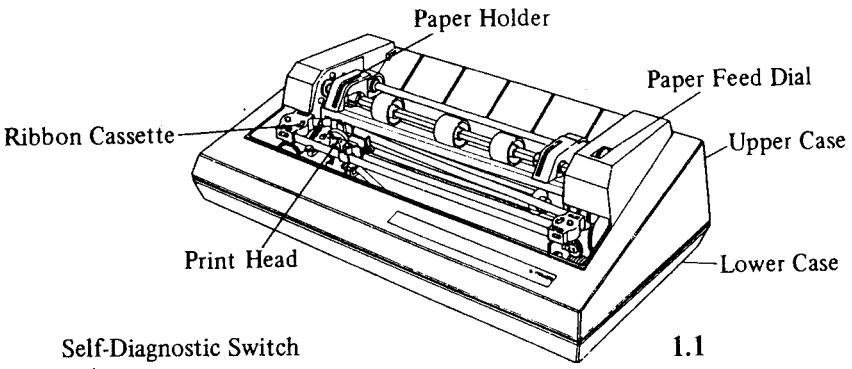
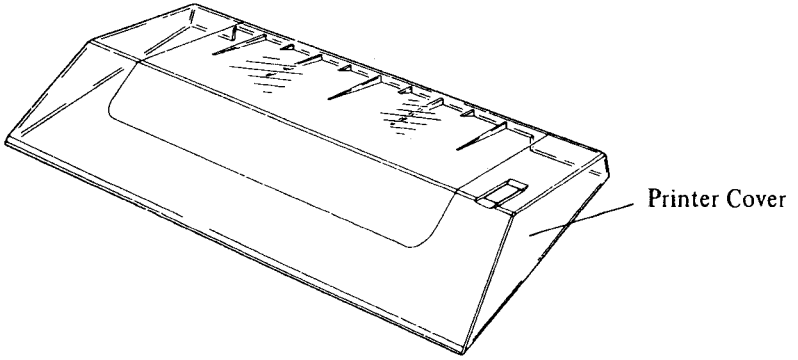
Your VIC printer is designed to operate through software control. That means you have to make the printer's operation part of a program. For example the VIC-20 has a TYPEWRITER cartridge that comes in the VIC SIX-PACK. It's designed to operate the printer by holding down the SHIFT key and pressing the f/1 Yellow Function Key.

The VIC Printer prints both capital and small letters, numbers, and all the graphic characters available on your computer. It will even print custom made graphics and charts that you design on your VIC-20 or Commodore 64. In addition your printer has a variety of built-in functions of its own. This is because your printer has its own computer inside.

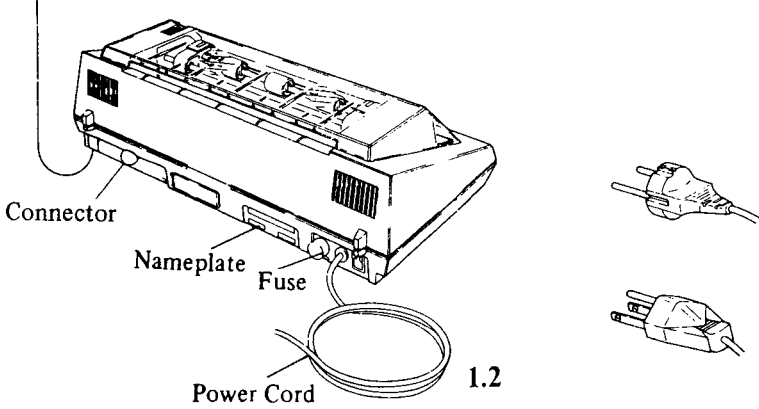
The advantages of this internal computer are 1) it automatically resets all its switches to the starting sequence every time you turn the printer on; 2) it contains its own internal memory which means that you can store information to be printed directly in the printer without using up your computer's memory.

Your printer is designed to connect directly into your computer through the Serial Port (6-pins). However, you can connect your printer to as many as 5 VIC disk drives by daisy-chaining. Daisy-chaining means connecting 1 peripheral to your computer and any additional peripherals plug into the Serial Port of the last item connected.

# 1. External Appearance and Names of Parts




Self-Diagnostic Switch



## 2. Operating Your Printer

### PART

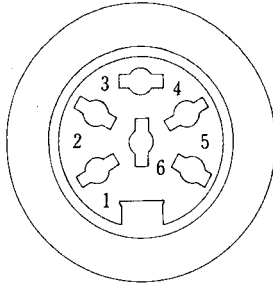
### OPERATION & FUNCTION

- a. **Power Switch** : Turns printer on and off
- b. **Power Indicator** : Lights up when printer is turned on
- c. **Self-Diagnostic Switch** : Select printer device number, “4” is the normal position for one printer. “5” is the position to use with your second printer. “T” is the self-diagnostic test position.
- 
- d. **Printer Cover** : Use your cover to protect your printer from dust and to reduce the noise level while the printer is in operation.
- e. **Tractor Mechanism** : After loading your paper properly (see Section 2, part 3) the Tractor Mechanism should be snapped closed to hold the paper in place. Tractor holes on the edges of the paper must line up with the pins of the Tractor Mechanism.
- f. **Paper Advance Dial** : Once you have properly threaded your paper, you can use the Paper Feed Dial to move the paper ahead, 1 line at a time in the forward direction only!
- g. **Fuse** : The Fuse is located on the underside of the printer. It is rated at 0.5 A for 117V version, 0.25A for 220/240V version. If you turn on your printer and it does not work, then turn the printer off and check the fuse.



### 3. Interface

1. Connector



2. Interface

Pin No.	Signal
1	SERIAL SRQ
2	GND
3	SERIAL ATN
4	SERIAL CLK
5	SERIAL DATA
6	RES

#### 1.4

#### 1.5

- Use the enclosed connecting cable to connect the printer to your computer. Plug one end of the 6-pin connector cable into the 6-hole Serial Port on your computer. Plug the other end of the 6-pin connector into the 6-hole connector of your printer. If you are facing the back of the printer, the connector hole is in the lower left (see figure 1.2).
- Select the device number .



#### 1.6 Device Selector Switch

- Just as your computer has different character modes, so does your printer. To choose either the GRAPHICS/UPPER CASE or UPPER CASE/LOWER CASE mode, you must assign a SECONDARY ADDRESS (SA) so that the printer prints in the same mode that you've chosen for your computer. The secondary address can either be 0 or 7.  
  
SA = 0: "CURSOR UP" (graphics/upper case) Mode  
SA = 7: "CURSOR DOWN" (upper case/lower case) Mode
- If there is an error in your program that pertains to printer operation, your printer will stop printing and the appropriate error message will appear on the screen of your computer.
- User defined machine language IRQ routines should not exceed 10 milliseconds.  
If this is done, the printer may give "Device not present" error.

## Section 2:

### PREPARING TO USE YOUR PRINTER

#### 1. Installation

Please follow the precautions listed below when setting up your printer. These measures are designed to help you keep your printer functioning at its best.

- \* Place your printer on a flat and level surface, like a tabletop.
- \* Avoid placing your printer in rooms with high humidity.
- \* Keep your printer as dust-free as possible.
- \* Keep your printer out of direct sunlight.
- \* Avoid placing your printer through extreme temperature changes.

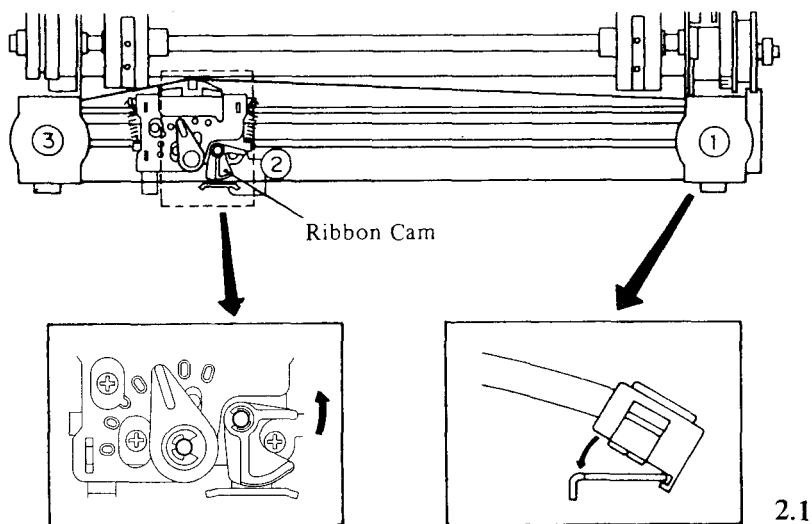
#### 2. Installing the Ribbon Cassette

- a. Find the packet that contains the ribbon cassette. You should have received this packet in the same box that your printer came in.
- b. Remove the ribbon cassette from the packet and place it carefully in front of you.
- c. Look at the cassette. You will notice that one side has a flat surface while the other side has little tabs sticking out. Place the cassette so that the tabs are closest to you.
- d. Now place the ribbon cassette on the same surface as your printer. Place the cassette so that it is between you and your printer, making sure that the tabs are still closest to you.
- e. Remove the clear printer cover from the top of your printer.
- f. Now look at the drawings (2.1) shown on the next page. As you can see, you should install the ribbon cassette on the right side of your printer first. Be sure to install the right half of the cassette on the right side of the printer (location ①).
- g. Lift both parts of the cassette up to the printer. Notice that the silver ribbon holders in the printer have holes drilled into them. These correspond to a pin located on the bottom of each half of the cassette.

- h. Carefully slide the right part of the cassette onto the rightmost edge of the cassette holder and push to the left and then down, until the cassette locks itself into the appropriate hole.
- i. Now slowly pull the left half of the ribbon cassette to the left. You will see that the ribbon itself begins to come out of the cassette already attached.
- j. Thread the ribbon as shown in the diagram(2.1)below (location ②).
- k. Once you have properly threaded the ribbon, attach the left half of the cassette to the left silver ribbon cassette holder (location ③) in the same way that you attached the right side.

- NOTE:**
- 1. Make sure that the ribbon is not twisted.
  - 2. The ribbon cassettes can not be installed if the left and right cassettes are reversed.
  - 3. **DO NOT TRY TO MOVE THE PRINT HEAD MANUALLY! FORCING MOVEMENT MAY DAMAGE THE PRINTER!**

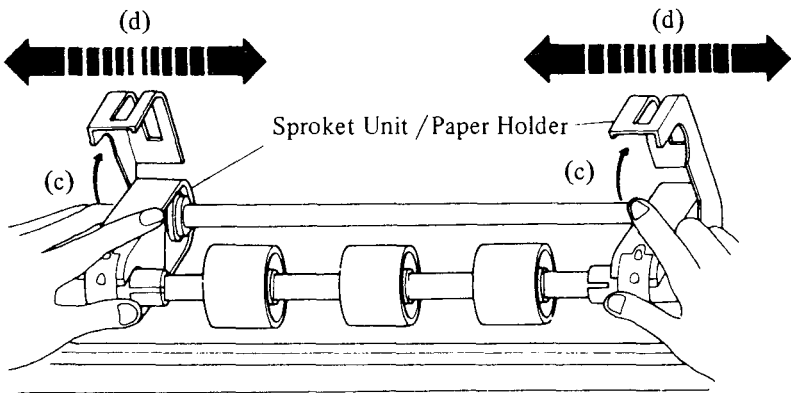
When it's time to replace a worn-out ribbon, use **ONLY** the specified replacement ribbon. To remove the old ribbon, follow the above procedure in reverse. Then follow the steps in the proper order to install the new ribbon.



### 3. Paper Instructions

#### 3.1 Paper Loading Instructions (See Appendix A For Paper Specifications)

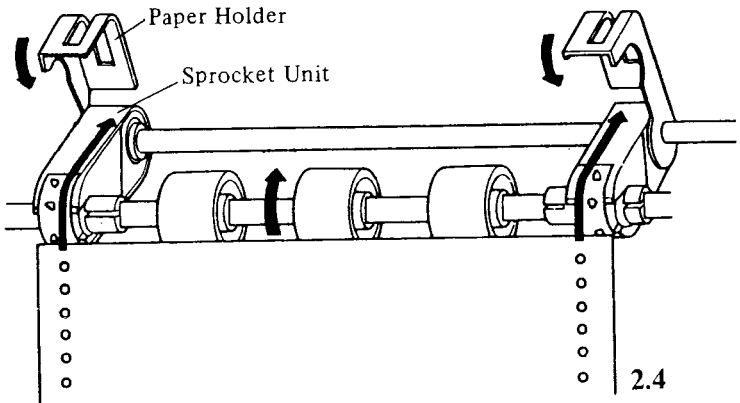
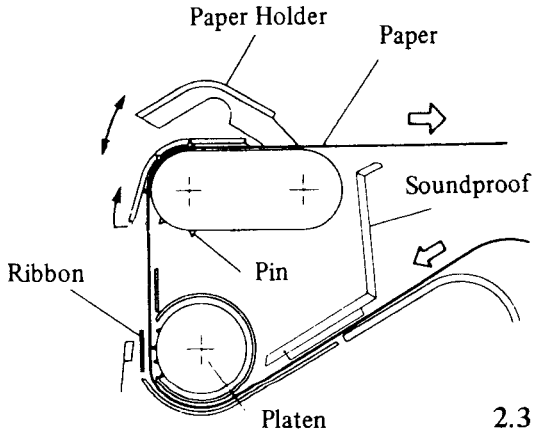
- a. Make sure that the power on your printer is turned OFF before loading the paper.
- b. Remove the printer cover.
- c. Open the plastic snaps over the paper-holding pins (sprockets).
- d. Adjust the entire sprocket assembly so that it is positioned for the proper paper width. Move each set of sprockets left or right so that the final position chosen does not pull the paper too tightly nor does it keep the paper too loose.



#### 2.2

- e. Now that you've approximated the paper position, it's time to insert the paper. From the back of the printer, carefully thread the paper down the slope and through the guides. Next go around the platen making sure that, as the paper comes into view in the front of the printer, you thread the paper between the platen and the ribbon (see Figure 2.3).
- f. When the paper comes from between the ribbon and platen, fit it over the sprockets so that everything is lined up. Make sure that the holes on the edge of the paper fit exactly on at least 3 pins on the sprocket assembly.

This may seem difficult at first, but once you've made the final adjustments to position your sprocket assembly to the exact paper width, you won't have to adjust anything but the paper in future loadings.

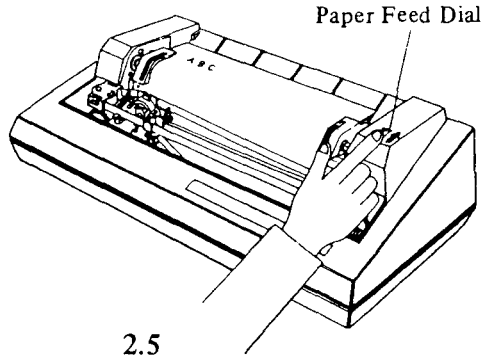


- h. Snap shut the paper holders on the sprocket assembly. This will keep your paper feeding smoothly.

### 3.2 Final Adjustments

- a. Manually set the position of the top of the paper to the position you want by pushing on the rotating paper feed dial (shown below in Fig. 2.5). Notice that to make the paper

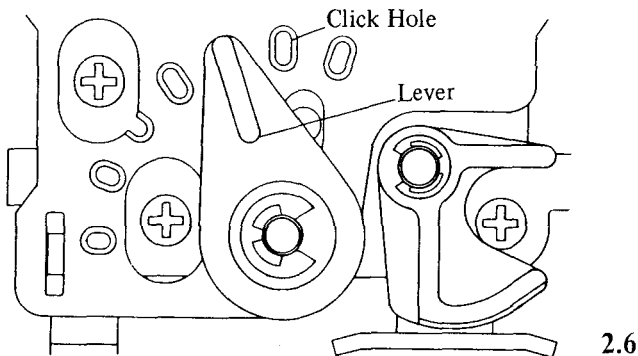
move in a forward direction, you must push the dial towards the back of the printer. Do NOT try to make the paper feed dial move in reverse towards the front of the machine.



- b. Put the printer cover back on your printer. NOTE: Keep your box of unused paper, which is to be fed into the printer, in a direct line with the sprocket pins so that it will feed smoothly.

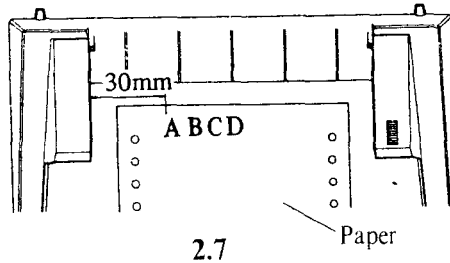
### 3.3 Printing Pressure Adjustment

You may adjust a lever on the print head according to the thickness of the paper. If smudging occurs or if printing is too dark, move this lever one click hole counterclockwise at a time until you are satisfied with the printing quality; if printing is too light, move it clockwise. When adjusting the lever, make sure that it is placed directly in the hole, not "in between" two of them.



### 3.4 Print Starting Position

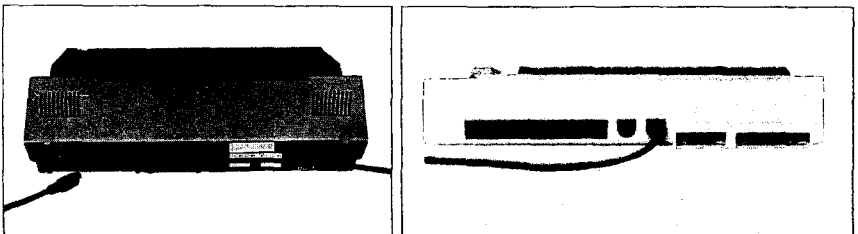
To get an idea as to where your printer will start the actual typing, see the figure below. Notice that printing starts at the position about 30mm in from the left edge of the printer.



## 4. Connecting the Printer to Your Computer

To connect your printer to your Commodore computer, please follow the instructions in the order listed below.

- a. Make sure that both your computer and printer have their power turned OFF.
- b. Connect one end of the 6-pin DIN cable to the connector holes located in the back of your printer at the lower left. This cable is "keyed" so that you cannot plug the cable in the wrong way. This means that the pins should be positioned so that a slight pressure will seat the cable properly. You should not have to force these pins in, and doing so could damage your cable.
- c. Connect the other end of the cable to your computer in the Serial Port Connector located in the back of your computer. Make sure that you are "keying" the pins properly into the connector with 6 holes (see Photos, Fig. 2.8).
- d. Now plug the printer's power cord into a standard AC wall outlet. However, please do NOT turn the equipment on yet.



2.8





## 7. MAINTENANCE

We hope you don't have problems but just in case . . . see if you can solve them by using the table below. If you can't, then try to determine which component in your system is at fault, and bring it into a store for repair.

<b>Problems</b>	<b>Probable Causes/Solutions</b>
Printer won't print. Power Indicator 'OFF'.	1) Printer power is 'OFF'. Check the connection and the power switch. 2) Fuse may be blown. Replace only with a fuse of the same rating.
Printer won't print. Power Indicator 'ON'.	1) Improper connection. Check all the cable connections. 2) Improper ribbon setting. Re-adjust the ribbon.
Printer okay, but the paper won't advance.	Paper is jammed. Remove and reload the paper.
Printed characters are too light or smudging.	1) Improper printing pressure. Adjust the lever's position on the print head. 2) Wrong ribbon setting. Re-adjust the ribbon 3) Old or worn-out ribbon. Replace the ribbon.

## 8. CAUTIONS

- Wait at least two seconds to turn on the power after it is turned off, otherwise the Printer will not be initialized properly.
- Never place the Printer where it is exposed to direct sunlight.
- Never apply power while you are plugging in or unplugging an input connector.
- Never turn off the power while the Printer is in motion.
- Never try to move the print head manually, whether the power is on or off.
- Do not stop the print head motion while it is printing.
- Do not print without paper and/or ribbon because the print head might be damaged.
- Turn off the power quickly and remove a foreign object, if you drop it into the Printer.
- Do not subject the Printer to temperatures below 5°C or above 40°C during operations, or to a sudden change in temperature.
- Regarding printing duty:  
In graphic mode, using patterns with too much dot density will wear out the print head faster. We recommend that you use patterns whose dot density is equal to that of ordinary alphanumerics. The continuous printing of high dot density patterns may adversely affect the longevity of the print head.
- Unplug the power cord before trying to take off the outer casing.

## Section 3:

# USING YOUR PRINTER

## Introduction

Now that you've learned how to insert the ribbon and paper into your printer, connect the printer to your computer, and how to test your printer for problems, you're ready for the next step: putting the VIC printer to work for you.

Your printer does a lot more than give a clean, fast printing of your work. It has its own internal microprocessor (computing system) which makes it both versatile and practical. In addition, it doesn't need to use up precious memory space in your computer because it stores everything you want to print in its own memory.

In this section we will show you how to use your printer to print listings, program results, and graphic displays. You will also see how to make double width characters and even how to create a few custom designed graphics. But before you go any farther in this manual, make sure that you are able to do the following:

1. Operate your Commodore computer.
2. Write elementary programs in BASIC.
3. Read and write files to and from a peripheral device, like a tape cassette recorder or disk drive.
4. Open and close files.

If you are not familiar with any of the above procedures, check your computer's User's Manual for the information you need.

### 1. Special Printer-Associated Commands

When you want to print something on your printer, essentially what you are doing is transferring the video screen function to the printer. A few special BASIC commands allow you to make this transfer. Most of the other rules and syntax of BASIC remain the same. Don't forget to type the RETURN key after each line of information.

#### The OPEN Command

This command creates a correspondence between a file number and a physical device. The *logical file number (lfn)* may be any number from 1 to 255. It doesn't matter which number you choose, as long as you keep the same number throughout your set of commands.

The *device number (dn)* refers to the device to which you send the file. The first device number is also known as the primary address. If you are using a VIC-1525 printer, the dn (device number) is usually 4. Check the test switch on your printer to see what dn to choose.

The *secondary address (sa)* is an optional and unique printer concept. It tells the printer's internal microprocessor that formatting is going to occur. As explained in SECTION 3.2 (interface), you can select one of the following modes:

- 0: "CURSOR UP" Mode
- 7: "CURSOR DOWN" Mode

The SYNTAX for the OPEN Command is:

OPEN lfn, dn	or	OPEN lfn, dn, sa
OPEN 99, 4	or	OPEN 1, 4, 0
OPEN 2, 4	or	OPEN 26, 4, 7

## The CMD Command

The CMD command transfers control from the computer to the printer. The lfn (logical file number) must be the same as the one you chose for the OPEN command. If you are using more than 1 OPEN command, each CMD command must have the same number as the corresponding OPEN command. Unlike a PRINT# command (which is discussed next), the line to the receiving device (in this case your printer) is left open. The device given the CMD command is said to be "listening." That means that once you give the CMD command, your printer will print READY and it will then be open and waiting for further instructions. At this point, any PRINT or LIST command will go directly to the printer as output.

The SYNTAX for the CMD Command is:

```
CMD lfn
CMD 99
CMD 2
(notice that the CMD logical file numbers correspond to the
OPEN lfn's)
```

## The PRINT# Command

The PRINT# command works just like the BASIC command PRINT except that it directs the output to the printer instead of to the video screen. After the data you have sent to the printer is finished, the lfn is

automatically closed. This is called "unlistening" and it means that in order to PRINT# more data, you must re-open the file by using another CMD command. By the way, please notice that you can NOT leave a space between PRINT and # or the command will not work.

**NOTE:** In CBM BASIC V2, the PRINT command can be abbreviated by using a "?". You can NOT do this with PRINT#. You must always type PRINT# in full.

The SYNTAX for the PRINT# Command is:

```
PRINT# lfn, data
PRINT# 99, "HELLO VIC"
PRINT# 2, CHR$(124),123,63,76
```

## The CLOSE Command

The CLOSE command is a very important command to use efficiently. You should always CLOSE a file after you've printed from it. The reason is that you can only have a maximum of 10 files open at anytime. Therefore, if you make a habit of closing files when you've finished with them, you will always have the maximum number of files available.

**NOTE:** Since the CMD command does not close the line to the printer, you must always follow a PRINT# command with the CLOSE command in order to properly close a file.

The SYNTAX for the CLOSE Command is:

```
CLOSE lfn
CLOSE 99
CLOSE 2
```

EXAMPLES Using all commands correctly:

```
OPEN 99, 4
PRINT# 99, "HELLO VIC"
CLOSE 99
```

```
OPEN 99, 4
CMD 99, "HELLO VIC"
PRINT# 99; CLOSE 99
```

```
OPEN 2, 4
PRINT#2, CHR$(124), 123, 63, 76
CMD 2
PRINT# 2
CLOSE 2
```

## 2. Printing in the Direct Mode

Now that you have gone through the various printing commands and what they do, let's put them to use in practical applications. The DIRECT mode allows you to communicate with your printer by entering printing commands DIRECTly from the keyboard of your computer.

The following example illustrates the entire DIRECT mode listing process in a short BASIC program. In this example, a file containing a single BASIC statement is typed into the computer's memory. The file is then OPENed. The output channel to the printer is opened and the printer is "listening" using the CMD command. The file is LISTed. The output channel is closed using the PRINT# command. Finally the file is CLOSEd. The printer is now out of use and the computer is ready to accept new commands.

	You type:	The screen displays:	The printer prints:
①	10?"TEST"	10?"TEST"	
②	OPEN3,4	OPEN3,4 READY.	
③	CMD3	CMD3	READY.
④	LIST	LIST	10 PRINT"TEST" READY.
⑤	PRINT#3	PRINT#3	
⑥	CLOSE3	CLOSE3 READY.	

### 3.1

- (1) You place the data in the computer's memory.
- (2) You OPEN the file and give it a logical file number (lfn) of 3. The 4 (following the comma) makes the file available to the printer.
- (3) The printer is "listening."
- (4) The program is LISTed onto the printer. The printer is still "listening."
- (5) Use the PRINT# command to "unlisten" the printer.
- (6) You CLOSE the file so that the lfn 3 can be used for something else.

### 3. Printing Under Program Control

Now that you have seen how to control the printer directly from the keyboard, it's time to control the printer from within a BASIC program. The short BASIC example below would already be in the computer's memory. It could have been placed there from the keyboard, a cassette tape, or a floppy disk.

```
10 OPEN3,4
20 CMD3
30 PRINT"PROGRAM CONTROL"
40 LIST
```

3.2

The RUN command is given and the resulting printout is shown here:

PROGRAM CONTROL

```
10 OPEN3,4
20 CMD3
30 PRINT"PROGRAM CONTROL"
40 LIST
```

READY.

3.3

REMEMBER THIS! When using the LIST command within a program execution, you must type the PRINT# command to close the channel. Then type the CLOSE command to close the file after you have finished RUNNING the file. Although this works, it is NOT good programming practice. It is suggested that you only use the CMD command and DIRECT mode.

### 4. Printing Modes and Control Codes

You can also use your printer and the PRINT#, CMD and PRINT commands in conjunction with CHR\$( codes to do the following:

DESCRIPTION	INPUT CODE
Enter Graphic Mode .....	CHR\$(8)
Line Feed After Printing .....	CHR\$(10)
Carriage Return .....	CHR\$(13)
Enter Double Width Character Mode .....	CHR\$(14)
Enter Standard Character Mode .....	CHR\$(15)
Tab Setting the Print Head .....	CHR\$(16)
Enter Cursor Down Mode .....	CHR\$(17)

Start Reverse Field .....	CHR\$(18)
Repeat Graphics Selected .....	CHR\$(26)
Specify Dot Address (must follow Print Head Tab Code)	CHR\$(27)
Enter Cursor Up Mode .....	CHR\$(145)
Turn Off Reverse Field .....	CHR\$(146)

#### 4.1 Standard Character Mode

When the printer is turned on, it is set to start in the STANDARD CHARACTER mode. But once you select different character modes the printer will remain in that mode until a different one is chosen using the CHR\$ code. For the example below, we started in double width mode "CHR\$(14)" for the title and then went to the stand character mode "CHR\$(15)" to list the program.

```
VIC 1525 PRINTER
```

```
10 OPEN1,4
20 PRINT#1,CHR$(14)"VIC 1525 PRINTER"
30 PRINT#1,CHR$(15)
40 CMD1:LIST
```

```
READY
```

3.4

#### 4.2 Double Width Character Mode

To print in the DOUBLE WIDTH CHARACTER mode, use the CHR\$(14) code and follow the example below.

Example

```
10 OPEN1,4
20 PRINT#1,CHR$(14)"VIC 1525 PRINTER"
30 CLOSE1
```

RUN

```
VIC 1525 PRINTER
```

3.5

#### 4.3 Graphic Mode

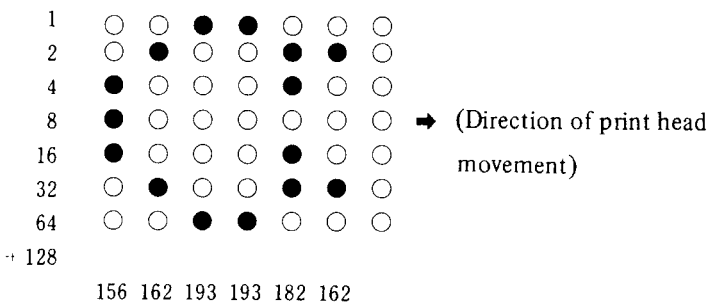
By using CHR\$(8) you enter the GRAPHIC mode. This allows you to design and print graphics by inputting data. Each DATA



statement is made of numbers that represent a row of dots which, when READ all together, will make up your graphic. To design your graphic, follow the example below. You should notice that each number in the DATA statement corresponds to 1 row in your graphic. To design a graphic, follow these steps:

1. Get a separate piece of paper to design your picture.
2. Number 7 consecutive rows like this:
 

1
2
4
8
16
32
64
3. Now design your graphic in dot form (see the example below).
4. Add together all the numbers from the column on the left, only wherever you have placed a dot in a row. In our example, the first column has 3 dots located in rows 4, 8, 16. Added together they equal 28.
5. Now add 128 to the total you had for each column in step 4. In our example we add 128 to 28 for a total of 156.
6. Put your final total for each column into a data statement in column order.



The DATA statement in your program will read:

```
DATA 156, 162, 193, 182, 162
```

The following program will print COMMODORE with its logo 4 times.

```

10 DATA156,162,193,193,182,162
20 FORI=1TO6
30 READA
40 A$=A$+CHR$(A)
50 NEXT
60 OPEN4,4
70 FORI=1TO4
80 PRINT#4,CHR$(8)A$;
90 PRINT#4,CHR$(15)" COMMODORE"
100 NEXT

```

After typing RUN, you get this result:

```

G COMMODORE
G COMMODORE
G COMMODORE
G COMMODORE

```

3.6

#### 4.4 Print Position Determination

With the CHR\$(16) code you can determine the print start position. This is done by assigning a 2-digit number following the CHR\$(16) (see the examples below).

Example

```

10 OPEN4,4
20 FOR I=1TO4
30 PRINT#4,"0123456789";
40 NEXT I
50 PRINT#4,CHR$(10)
60 PRINT#4,CHR$(16)CHR$(48)CHR$(56)
   "VIC-1525";
70 PRINT#4,CHR$(16)CHR$(51)CHR$(48)
   "PRINTER"
80 CLOSE4

```

RUN

0123456789012345678901234567890123456789

VIC-1525

PRINTER

3.7

```

10 OPEN4,4
20 FOR I=1TO4
30 PRINT#4,"0123456789";
40 NEXT I
50 PRINT#4,CHR$(10)
60 PRINT#4,CHR$(16)"08VIC-1525";
70 PRINT#4,CHR$(16)"30PRINTER"
80 CLOSE4

```

RUN

0123456789012345678901234567890123456789

VIC-1525

PRINTER

### 3.8

The 2-digit numbers following the CHR\$(16) code are the print start position of your standard characters. This can be proven using the following example.

```

10 OPEN4,4
20 FOR I=1TO4
30 PRINT#4,"0123456789";
40 NEXT I
50 PRINT#4,CHR$(10)
55 PRINT#4,CHR$(14)
60 PRINT#4,CHR$(16)"08VIC-1525";
70 PRINT#4,CHR$(16)"30PRINTER"
80 CLOSE4

```

RUN

0123456789012345678901234567890123456789

VIC-1525

PRINTER

### 3.9

#### 4.5 Print Start Position-Dot Address

Using the CHR\$(27), the absolute address (dot units) can be specified via the following format.

CHR\$(27)	CHR\$(16)	CHR\$(0)	CHR\$(15)
-----------	-----------	----------	-----------

#### 3.10

The 2 bytes that follow CHR\$(27) and CHR\$(16) are binary data used to indicate the absolute address away from the home position (dot units).

	D <sub>7</sub>	D <sub>6</sub>	D <sub>5</sub>	D <sub>4</sub>	D <sub>3</sub>	D <sub>2</sub>	D <sub>1</sub>	D <sub>0</sub>	
1st byte	0	0	0	0	0	0	0	0	P <sub>8</sub>
2nd byte	P <sub>7</sub>	P <sub>6</sub>	P <sub>5</sub>	P <sub>4</sub>	P <sub>3</sub>	P <sub>2</sub>	P <sub>1</sub>	P <sub>0</sub>	

Higher 1 bit (HP)  
Lower 8 bits (LP)

#### 3.11

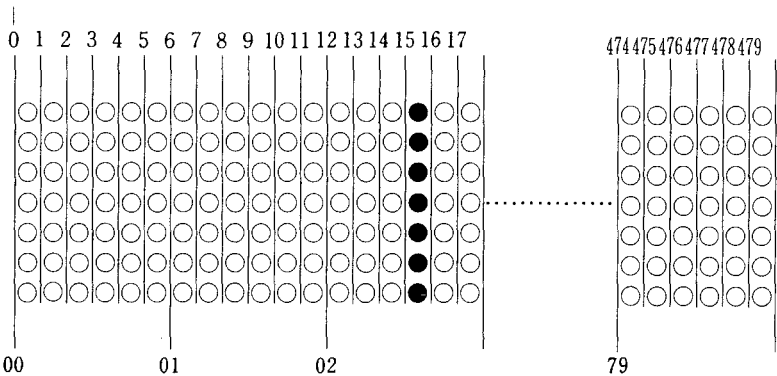
The above 2 bytes are used to indicate the starting print position and are treated as a single 9 bit binary notation data inside the Printer.

P <sub>8</sub>	P <sub>7</sub>	P <sub>6</sub>	P <sub>5</sub>	P <sub>4</sub>	P <sub>3</sub>	P <sub>2</sub>	P <sub>1</sub>	P <sub>0</sub>
----------------	----------------	----------------	----------------	----------------	----------------	----------------	----------------	----------------

#### 3.12

For example the dot address 15 can be determined by HP=CHR\$(0), LP=CHR\$(15).

dot address



character address

#### 3.13

#### 4.6 Repetition of Graphic Data

By using CHR\$(26) you can repeat graphic data where you wish.

CHR\$(8)	.....	CHR\$(26)	NUMBER OF REPETITION	DATA
----------	-------	-----------	----------------------	------

3.14

What is actually repeatable is just 1 column of graphic information. The following example uses a CHR\$(26) code to draw the graphic.

1976	██████	34	
1977	██████████	57	
1978	██████████████	75	
1979	██████████████████	88	
1980	██████████████████████	123	
1981	██████████████████████████	186	

3.15

```
10 OPEN4,4
20 FOR I=0 TO 5
30 READ A: A$=A$+CHR$(A): NEXT
40 FOR I=0 TO 5: READ B: B$=CHR$(B)
50 C$=CHR$(255)+CHR$(59)+CHR$(15)+CHR$(32)
60 D$=STR$(1976+I)
70 PRINT#4,CHR$(15)D$A$B$C$B
80 NEXT I
90 CMD4:LIST
100 DATA 8,27,16,0,53,26
110 DATA 34,57,75,88,123,186

READY.
```

3.16

#### 4.7 Cursor Up Mode

By using the CHR\$(145) code you have selected the CURSOR UP character mode. Like the Standard character mode your printer automatically selects the CURSOR UP mode

Example

```
♥♥♥♥♥
↑↑↑↑↑
◆◆◆◆◆
↑↑↑↑↑
```

```
10 OPEN4,4
20 PRINT#4,CHR$(145)SPC(15)"♥♥♥♥♥"
30 PRINT#4,CHR$(145)SPC(15)"↑↑↑↑↑"
40 PRINT#4,CHR$(145)SPC(15)"◆◆◆◆◆"
50 PRINT#4,CHR$(145)SPC(15)"↑↑↑↑↑"
60 CMD4:LIST
```

READY.

### 3.17

#### 4.8 Cursor Down Mode

By using the CHR\$(17) code you have selected the CURSOR DOWN character mode. Unlike the other modes mentioned thus far, when you select the CURSOR DOWN mode you must use the SECONDARY ADDRESS (sa) of 7 in your OPEN command to insure that the CURSOR DOWN mode will RUN properly. The example below shows the correct use of the CURSOR DOWN mode.

```
Personal computer
Graphic Printer
```

```
10 OPEN8,4,7
20 PRINT#8,CHR$(17)"Personal computer"
30 PRINT#8,CHR$(17)"Graphic Printer"
40 CMD8:LIST
```

ready

### 3.18

#### 4.9 Reverse Field Mode

By selecting the CHR\$(18) you have turned on the REVERSE FIELD mode. This prints white letters on a black background.

```
PERSONAL COMPUTER  
GRAPHIC PRINTER
```

```
10 OPEN9,4,7  
20 PRINT#9,CHR$(18)"PERSONAL COMPUTER"  
30 PRINT#9,CHR$(18)"GRAPHIC PRINTER"  
40 CMD9:LIST
```

```
READY. 3.19
```

#### 4.10 Reset Reverse Field Mode

When you use CHR\$(146) you turn OFF the REVERSE FIELD mode that you selected by using the CHR\$ in chapter 4.9.

```
PERSONAL COMPUTER  
GRAPHIC PRINTER
```

```
10 OPEN10,4,7  
20 PRINT#10,CHR$(18)"PERSONAL COMPUTER"  
30 PRINT#10,CHR$(146)"GRAPHIC PRINTER"  
40 CMD10:LIST
```

```
READY. 3.20
```

#### 4.11 Mixture of Various Print Mode

You can use the following example to get an idea as to how to combine more than 1 print mode, even in one line.

```
Q COMMODORE
```

```
10 DATA8,27,16,0,36  
20 DATA156,156,162,162,193,193  
30 DATA193,193,182,182,162,162,14  
40 FORI=1TO18  
50 READA:A$=A$+CHR$(A)  
60 NEXT
```

```

70 OPEN1,4
80 PRINT#1,A$" COMMODORE"
90 PRINT#1,CHR$(15)
100 CMD1:LIST

```

READY.

### 3.21

#### 4.12 Line Feed Spacing

Linefeeds are executed in accordance with the print mode in effect just prior to the execution of a print command.

- Character and double width character modes . . . . . 6 LPI
- Graphic mode . . . . . 9 LPI

Example

```

10 OPEN12,4:SI#=CHR$(15):BS#=CHR$(8)
20 PRINT#12,SI#"
30 PRINT#12,SI#" |
40 PRINT#12,SI#" |
50 PRINT#12,SI#" |
60 PRINT#12,SI#" |
70 CLOSE4

```

RUN



### 3.22

#### 4.13 Data Buffer Size

Your printer's print-line buffer can contain up to 90 bytes of data. At least 1 byte will be used for the CHARACTER code mode. But . . . since your printer provides you with automatic printing, you are guaranteed that no loss of data due to overflow will occur. This means that you really don't have to worry about buffer size. In addition to the print data, the following will also be included in your buffer:



Input Code	Bytes
CHR\$(8) .....	1
CHR\$(10) .....	1
CHR\$(13) .....	1
CHR\$(14) .....	1
CHR\$(15) .....	1
CHR\$(16)/CHR\$(0)/CHR\$(15) .....	3
CHR\$(17) .....	1
CHR\$(18) .....	1
CHR\$(26)/number of repetitions/mark data .....	3
CHR\$(27)/CHR\$(16)/CHR\$(0)/CHR\$(15) .....	3
CHR\$(145) .....	1
CHR\$(146) .....	1

## 5. Automatic Printing

Automatic printing will occur under 3 conditions. In order to understand exactly what's happening, you have to have a little knowledge about how your printer works. First, each printed character is made from 6 rows of dots. Next, you can have up to 80 characters per printed line (spaces count as 6 dot positions just like letters and numbers). This means that there are a total of 480 dots per line. Now you're ready for the 3 conditions.

- a. When the buffer fills up during the input of data.
- b. When your printer "sees" that you have used up more than the 480 dots per line that was described above.
- c. When both a and b happen at the same time.

What will happen when these conditions occur?

- a. When the buffer fills during printing, it prints out everything it has been storing onto your paper. But . . . it remembers where it stopped printing so that it can continue from that point, when and if you want to. Or, it will print again when you fill the buffer again.
- b. When the printer uses up more than 480 dots, then it prints out the line and then stops and tells you that it's READY for more information.
- c. When both a and b occur, your printer will "dump" only the first 80 characters and print them. Then it will move to the next line. At this point, the printer will do 2 things: 1) It will hold any characters that have been left in the buffer and add to them; 2) It will give you a READY for more information statement.

## APPENDIX A VIC 1525 PRINTER SPECIFICATIONS

### 1. General Specifications

- A. Print method . . . . . Impact dot matrix print(uni-hammer method)
- B. Character matrix . . . . . 6 x 7 dot matrix
- C. Characters . . . . . Upper/lower case characters, numerals, symbols, and PET graphic characters
- D. Graphics . . . . . Dot addressible. 7 vertical dots per column, max 480 columns.
- E. Character codes . . . . . VIC-20 8-BIT CODE
- F. Character size . . . . . Height: 7 dots (2.82 mm)  
Width : 6 dots (2.53 mm)
- G. Print speed. . . . . 30 characters/sec (left to right, uni-directional)
- H. Max. number of columns . . . . 80 columns
- I. Character spacing . . . . . 10 characters/inch
- J. Linefeed spacing . . . . . 6 lines/inch . . . . . Character mode  
9 lines/inch . . . . . Graphic mode
- K. Linefeed speed . . . . . 5 linefeeds/sec . . . . Character mode  
7.5 linefeeds/sec . . . . Graphic mode
- L. Paper feed . . . . . Pin feed
- M. Paper width . . . . . 4.5 to 10" width (including tractor feed holes)  
8½" width (after tractor hole removed)
- N. Multiple copies . . . . . Original plus maximum 1 or 2 copies
- O. Inked ribbon . . . . . Single color, inked roller built-in cassette type
- P. External dimensions . . . . . 234.5D × 420W × 136H mm
- Q. Weight . . . . . Approximately 4.5 kg

### 2. Operating Environment

- A. Power requirements . . . . . 120V (USA), 220 ~ 240V (Europe)  
AC ± 10%, 50/60 Hz
- B. Power consumption . . . . . 20 watts max. (character printing)  
8 watts (idling)
- C. Temperature . . . . . 5°C ~ 40°C
- D. Humidity . . . . . 20% ~ 80% (no condensation)

# VIC 1515 PRINTER SPECIFICATIONS

## 1. General Specifications

- A. Print method . . . . . Impact dot matrix print(uni-hammer method)
- B. Character Matrix . . . . . 6 x 7 dot matrix
- C. Characters . . . . . upper/lower case characters, numerals symbols, and PET graphic characters
- D. Graphics . . . . . Dot addressible. 7 vertical dots per column, max 480 columns.
- E. Character codes . . . . . VIC-20 8-BIT CODE
- F. Character size . . . . . Height: 7 dots (2.82 mm)  
Width : 6 dots (2.11 mm)
- G. Print speed . . . . . 30 characters/sec (left to right, unidirectional)
- H. Max. number of columns . . . . . 80 columns
- I. Character spacing . . . . . 12 characters/inch
- J. Linefeed spacing . . . . . 6 lines/inch . . . . . Character mode  
9 lines/inch . . . . . Graphic mode
- K. Linefeed speed . . . . . 5 linefeeds/sec . . . . . Character mode  
7.5 linefeeds/sec . . . . . Graphic mode
- L. Paper feed . . . . . Pin feed
- M. Paper width . . . . . 4.5 to 8 inches acceptable
- N. Multiple copies . . . . . Original plus maximum 2 copies
- O. Inked ribbon . . . . . Single color, inked roller built-in cassette type
- P. External dimensions . . . . . 172.5D×328W×132 H mm
- Q. Weight . . . . . Approximately 2.5 kg

## 2. Operating Environment

- A. Power requirements . . . . . 120V (USA), 220 ~ 240V (Europe)  
AC ± 10%, 50/60 Hz
- B. Power consumption . . . . . 15 watts max. (character printing)  
5 watts (idling)
- C. Temperature . . . . . 5°C ~ 40°C
- D. Humidity . . . . . 20% ~ 80% (no condensation)

## APPENDIX B Hard Copy off the Screen

The following sample program can be used to get a hard printed copy of a program you have on your screen. The Program is made to be used as a sub-routine. That means that when you use it, you must have a "GOSUB 60000" in your program where appropriate.

```
60000 REM SCREEN COPY
60010 SI#=CHR$(15):BS#=CHR$(8):PO#=CHR$(16)
60020 RV#=CHR$(18):RO#=CHR$(146):QT#=CHR$(34)
60030 MF#=CHR$(145):VR=PEEK(648)*256
60040 OPEN4,4:PRINT#4
60050 FORCL=0TO22:QF=0:AS#=MF#:FORRO=0TO21
60060 SC=PEEK(VR+22*CL+RO)
60070 IFSC=34THENQF=1-QF
60080 IFSC<>162THEN60110
60090 QF=1-QF:IFQF=1THENAS#=AS#+RV#+QT#:GOTO60170
60100 AS#=AS#+QT#+RO#:GOTO60170:GOTO60130
60110 IFQF=1AND(SC)=128)THENSC=SC-128:GOTO60130
60120 IFSC>=128THENSC=SC-128:RF=1:AS#=AS#+RV#
60130 IFSC<32ORSC>95THENAS=SC+64:GOTO60160
60140 IFSC>31ANDSC<64THENAS=SC:GOTO60160
60150 IFSC>63ANDSC<96THENAS=SC+32:GOTO60160
60160 AS#=AS#+CHR$(AS)
60170 IFRF=1THENAS#=AS#+RO#:RF=0
60180 NEXTRO
60190 IFQF=0THENPRINT#4,SI#PO#"20"AS#:GOTO60210
60200 PRINT#4,SI#+PO#+"20"+AS#+QT#
60210 NEXTCL:PRINT#4,SI#:CLOSE4:RETURN
```

### B.1

This program is made for the CURSOR UP mode. If you wish to write the program in the CURSOR DOWN mode, you must change MF#=CHR\$(145) to MF#=CHR\$(18) in line 60030.

This program is also made for VIC-20. If you wish to use this program to Commodore 64, you should change line 60050.

```
60050 FORCL=0TO24:QF=0:AS#=MF#:FORRO=0TO39
```

Note)This program can't print the characters following the reverse quote.

# APPENDIX C VIC PRINTER Code Table

## CURSORUP MODE Code & Font Table

	0	1	2	3	4	5	6	7	8	9	A	B	C	D	E	F
0		POS														
1		CURSOR DOWN								CURSOR UP						
2		RVS ON								RVS OFF						
3																
4																
5																
6																
7																
8	BS															
9																
A	NL	SUB														
B		ESC														
C																
D	CR															
E	SO															
F	SI															

Note) When ASCII \$22 ( " ) is detected, until second ASCII \$22 or ASCII \$0D (CR) is detected, following control codes (\$00~\$1F, \$80~\$9F) don't it's control function, but print correspondent reverse characters (reverse \$40~\$5F, \$C0~\$DF). However, ASCII \$0D (CR) does always Carriage Return.

## CURSORDOWN MODE Code & Font Table

	0	1	2	3	4	5	6	7	8	9	A	B	C	D	E	F
0	POS															
1	CURSOR DOWN									CURSOR UP						
2	RVS ON									RVS OFF						
3																
4																
5																
6																
7																
8	BS															
9																
A	NL SUB															
B	ESC															
C																
D	CR															
E	SO															
F	SI															

Note) When ASCII \$22 ( " ) is detected, until second ASCII \$22 or ASCII \$0D (CR) is detected, following control codes (\$00~\$1F, \$80~\$9F) don't it's control function, but print correspondent reverse characters (reverse \$40~\$5F, \$C0~\$DF). However, ASCII \$0D (CR) does always Carriage Return.

